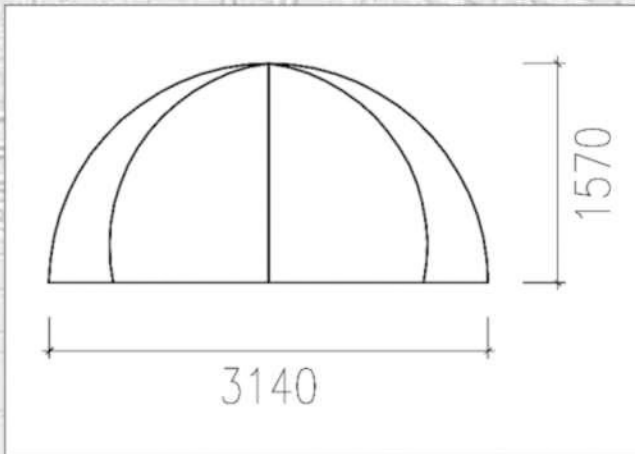
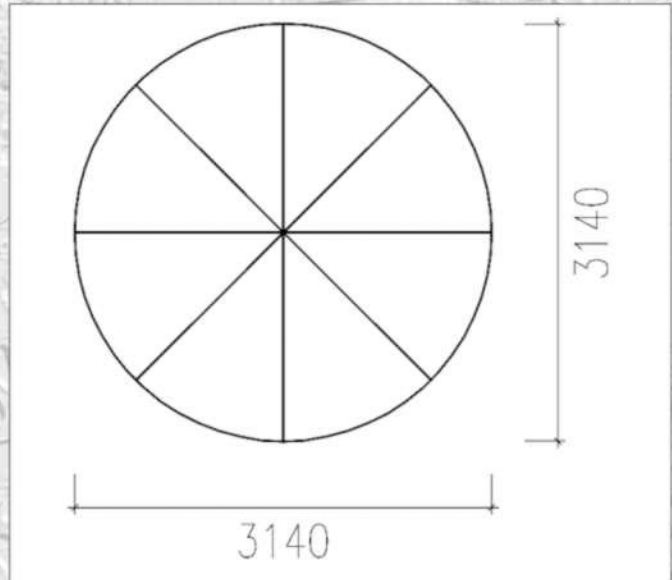


FIBREGLASS DOMES ○ VESELGLAS KOEPELS

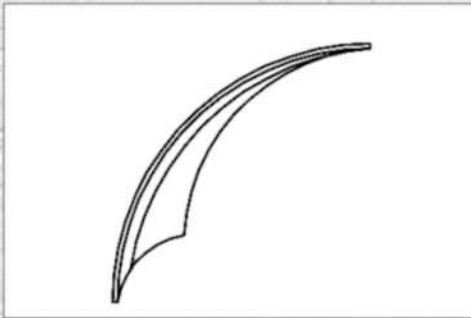
From Side



From Top



Segment



Code	Description	Width	Length	Height
1FG/Dome01	Dome sml.	Ø2500	Ø2500	1250
1FG/Dome02	Dome med.	Ø3140	Ø3140	1570
1FG/Dome03	Dome lrg.	Ø5200	Ø5200	2600

Guideline for installation of Domes

Drill 10mm holes ± 200mm apart, through the flanges on the ridges of the dome panels

Apply uv resistant silicone between the flanges of the dome panels

Bolt panels through holes in flanges together with 10mm x 50mm bolts with 25 mm washers

When all 8 panels are bolted into place, put the top centre piece in place and drill 5mm holes through top centre piece and dome panels

Apply UV resistant silicone to areas between top centre piece and dome panels

Use 5mm x 20mm pop rivets to rivet top centre piece to dome panels

After dome has been assembled, put into place on base and secure with roll bolts (± 12mm x 70mm) with 25mm washers through bottom flanges on concrete bases (12 mm steel bolts with 25mmØ washers on steel bases)

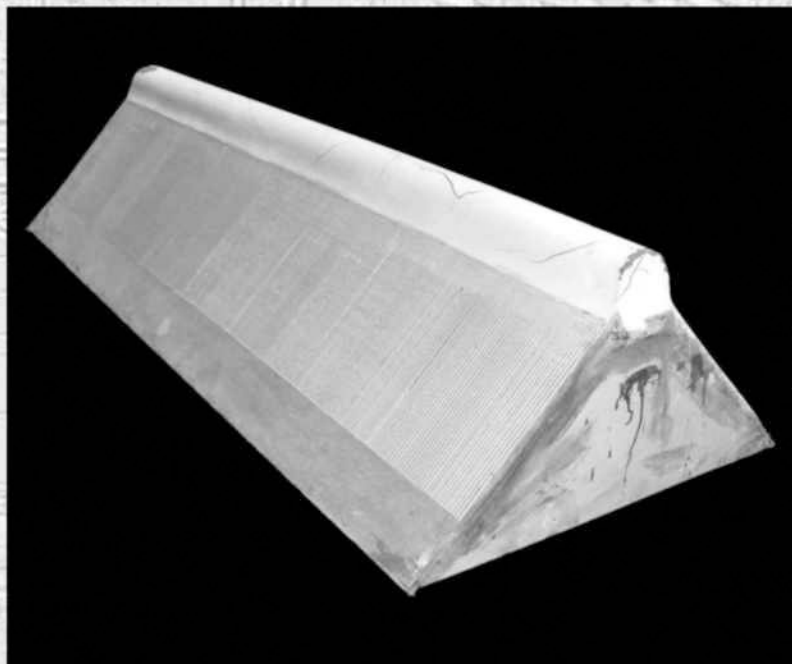
UV resistant silicone can be used to seal dome at base. Make use of professional waterproofing contractors to waterproof the dome.



The above information is intended as a guide line and Style Decor can not be held responsible for installation undertaken

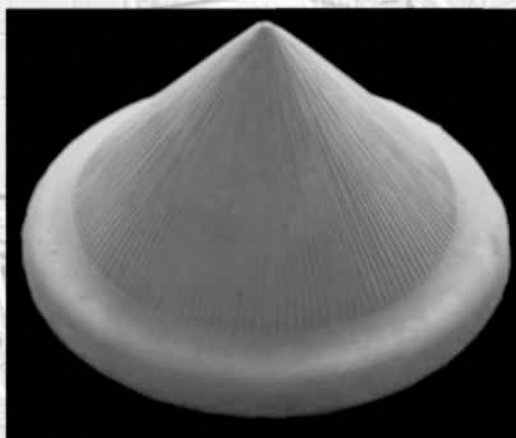
DOMES FOR THATCH ROOFS ○ NOKKE VIR GRASDAKKE

Straight for thatch roof (GRC)



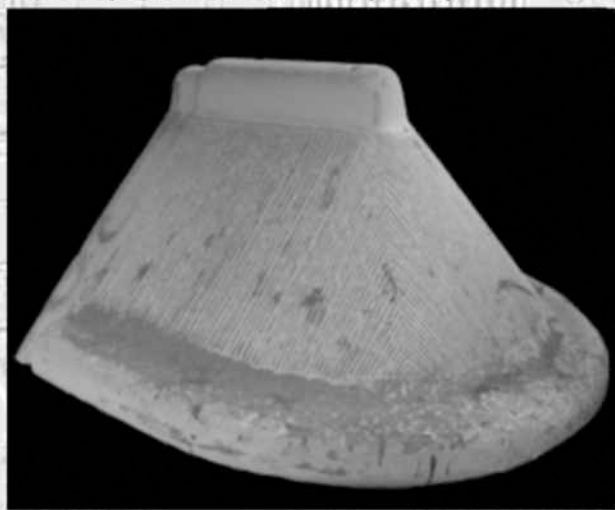
7NOC004
2000L x 790W inside

Dome fluted (GRC)



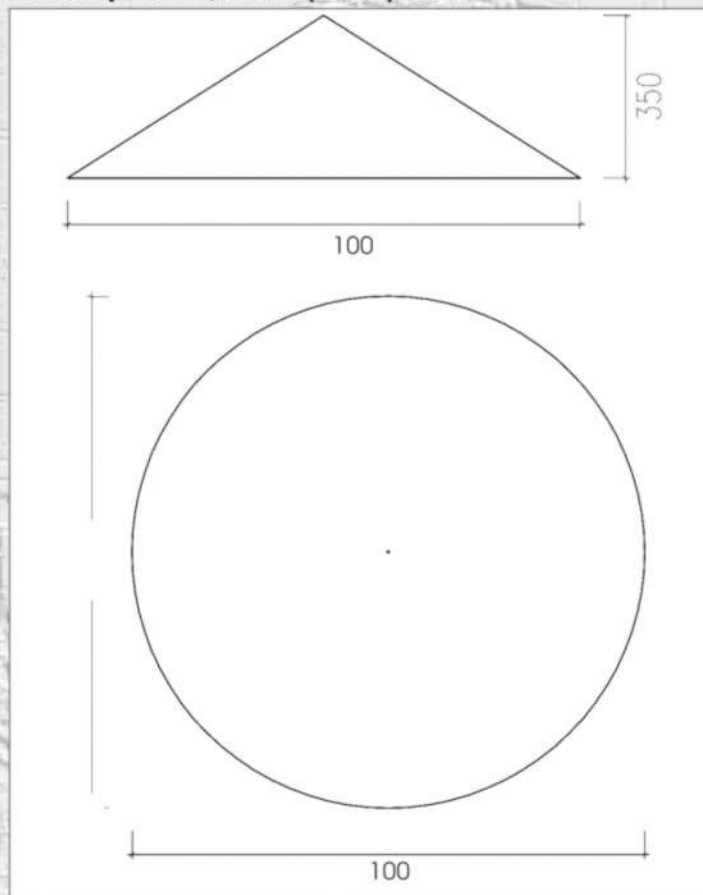
7NOC001
Dome fluted 790Ø inside
16,2kg

End cap for thatch roof (GRC)



7NOC002
690 length inside x 790 wide inside

Dome plain 1,100Ø (GRC)



7NOC003
1,100Ø x 350H
10,4kg